

- Compact design, corrosion resistant construction
- Brass body with choice of plastic or brass bonnet
- Brass bonnet equipped with pressure adjusting screw
- Non-relieving models for water and air service



R06 221



R06 222

Technical data

Fluid:

Water and compressed air, neutral gases

NOTE: Contact technical support for use with other media.

Maximum pressure:

400 psig (27 bar)

Operating temperature

Water service: 35° to 150°F (2° to 65°C)†

Air service: -30° to 150°F (-34° to 65°C) *†

*Air supply must be dry enough to avoid ice formation at temperatures below 35°F (2°C).

† Brass bonnet & body combination max temperature 200°F

Gauge ports:

1/8" PTF

Materials

Body: brass

Bonnet

Standard: acetal resin

Optional: brass

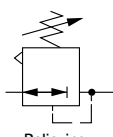
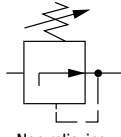
Valve: Brass, nitrile

Valve seat: acetal resin

Elastomers: nitrile

Ordering information

Models listed have PTF threads, non-relieving diaphragm, and no gauge.

ISO Symbols	Port	Model	Flow* scfm (dm ³ /s)	Flow** gpm (lpm)	Weight lb (kg)
 Relieving	1/8" PTF	R06-121-NNKA	12 (5.7)	1.3 (4.9)	0.2 (0.09)
 Non relieving	1/4" PTF	R06-221-NNKA	12 (5.7)	1.3 (4.9)	0.2 (0.09)

* Approximate flow with 100 psig (7 bar) inlet pressure, 90 psig (6.3 bar) set pressure and a 15 psig (1 bar) droop from set.

** Approximate flow with 100 psig (7 bar) inlet pressure, 60 psig (4 bar) set pressure and a 15 psig (1 bar) droop from set.

Alternative Models

Port Size	Substitute	R06 - ★ ★ ★ - ★ ★ ★ A		Outlet Pres Adj†	Substitute
1/8"	1			1 to 10 psig (0.1 to 0.7 bar)	A
1/4"	2			5 to 50 psig (0.3 to 3.5 bar)	E
Bonnet	Substitute			5 to 100 psig (0.3 to 7 bar)	K
Plastic	21			5 to 125 psig (0.3 to 8.6 bar)	L
Brass	22			Gauges	Substitute
Diaphragm	Substitute			With	G
Relieving	R			Without	N
Non relieving	N				

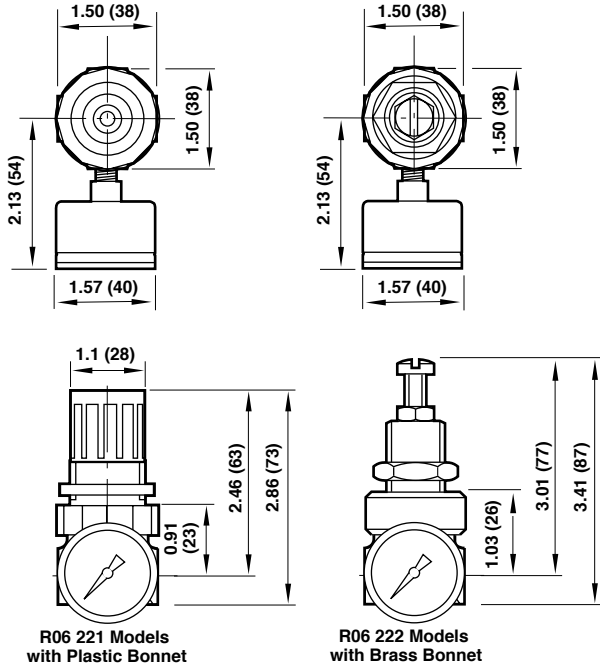
† Outlet pressure can be adjusted to pressures in excess of, and less than, those specified. Do not use these units to control pressures outside of the specified ranges.

Panel mounting hole diameter:

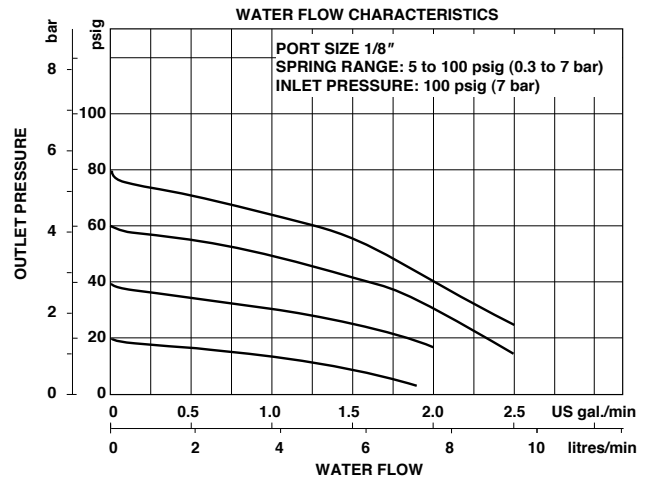
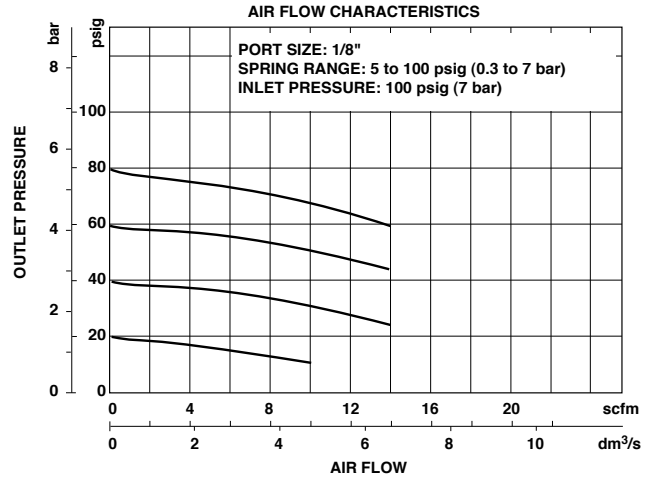
Models with plastic bonnet: 1.19" (30 mm)

Models with brass bonnet: 0.81" (21mm)

Maximum panel thickness: 0.25" (6 mm)



Typical Performance Characteristics



Service Kits

Item	Type	Part number
Service Kit	Relieving	3407-18
	Non relieving	3407-17

Service kit includes slip ring, diaphragm, standard valve seat with o-ring, valve, valve spring.

Dimensions in inches (mm)